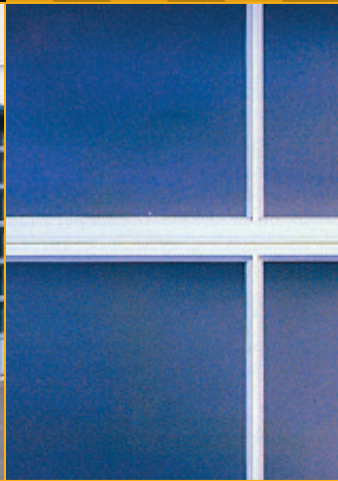




G-4000



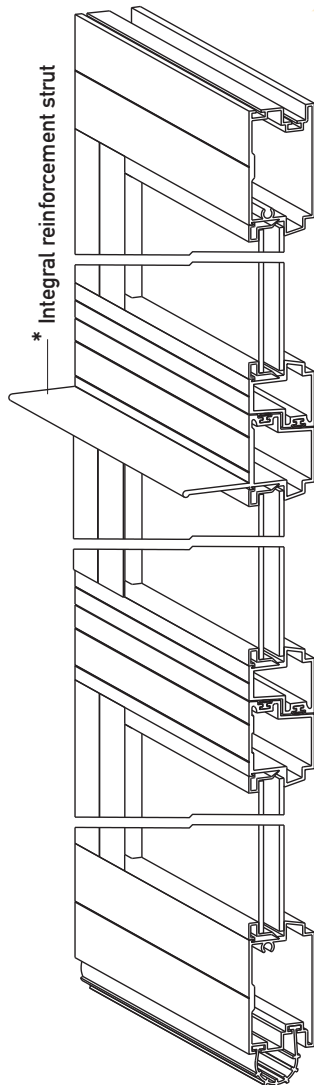
Stronger for longer

GARAGA INDUSTRIAL



GARAGA INDUSTRIAL

The G-4000 Service Station door, 1 3/4 in. thick, is a sturdy and reliable product. It was designed for those who need maximum natural light such as: car dealerships, firestations, bars and restaurants terrace, etc. Available in a wide choice of standard and custom sizes, this door will bring style to your business.



G-4000

Features

- 1 Thickness of the door 1 3/4 in. (44.5 mm) .
- 2 Clear anodized or white pre-painted tubular extrusions .
- 3 Top-to-bottom end extrusion 3 1/4 in. (82.5 mm) at perimeter.
- 4 Double hinge end extrusion, 6 1/4 in. (159 mm) if required.
- 5 Thickness of tubular extrusions: 0.125 in. (3.2 mm) at hinge fastening points.
- 6 Weatherstripping between sections .
- 7 Bottom panel weatherstripping .
- 8 Rigid vinyl (PVC) pane moulding .
- 9 Center hinge equally spaced.
- 10 Integral reinforcement struts (for doors 14 feet (4267 mm) wide and over, 3 or more consecutive G-4000 sections).
- 11 Kick proof panel, pre-painted aluminum, choice of 10 colours including anodized, panel only.

Specifications

Door

0.063 in. (1.6 mm) thick tubular aluminum extrusion (6063 T5) with a clear anodized or white pre-paint finish. Total thickness of 1 3/4 in. (44.5 mm).

Window selection

We offer a wide choice of thermo, clear or tinted panes, acrylic or polycarbonate panes, tempered panes. Contact our customer service to order any other type of window.

Weather tightness

Inset weatherstripping at each door panel intersection and "U" shape TPE (Thermoplastic Elastomer) flexible weatherstripping at the bottom of the door.

Hardware

13 or 14-gauge, 2 inch (51 mm) commercial track (for doors up to 180 kg (396 lbs) or 10 m² (108 sqft)) or 12-gauge, 3 inch (75 mm) industrial tracks. Helicoidal torsion springs. Sturdy galvanized steel hardware suited for the intended use of the door.

Weatherstripping (jambs and lintel):

Aluminum extrusion base weatherstripping double-edge rubber strip or artic vinyl, and rigid PVC screw cover (optional).

Options

Exhaust port 3 in. (76 mm)

Each door is custom built to meet your specifications. We will be able to help you with our expertise and follow up at every stage until the end of your project.

Garaga has established a permanent research program for all of its products. Technical specifications for this door are subject to change without notice.

Available sizes

Widths: from 4 to 18 feet, from 1219 mm to 5486 mm

Heights: from 6 to 14 feet, from 1829 mm to 4267 mm

Custom size to the nearest 1 in. (25.4 mm)

Number of units per section

96 to 122 in. (2 438 to 3 099 mm) – 3

123 to 150 in. (3 124 to 3 810 mm) – 4

151 to 184 in. (3 835 to 4 674 mm) – 5

185 to 216 in. (4 699 to 5 486 mm) – 6



GARAGA Inc.

8500, 25th Avenue, St-Georges, Qc, Canada, G6A 1K5

Tel.: (418) 227-2828 E-mail: info@garaga.com

www.garaga.com



Products manufactured in Canada

© Garaga Inc. 2008 - All rights reserved

